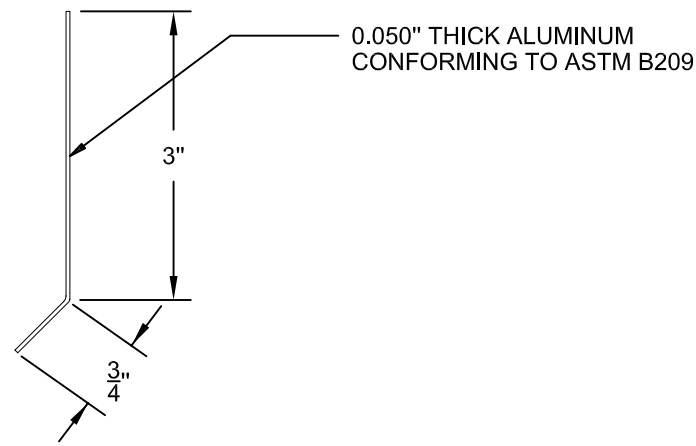
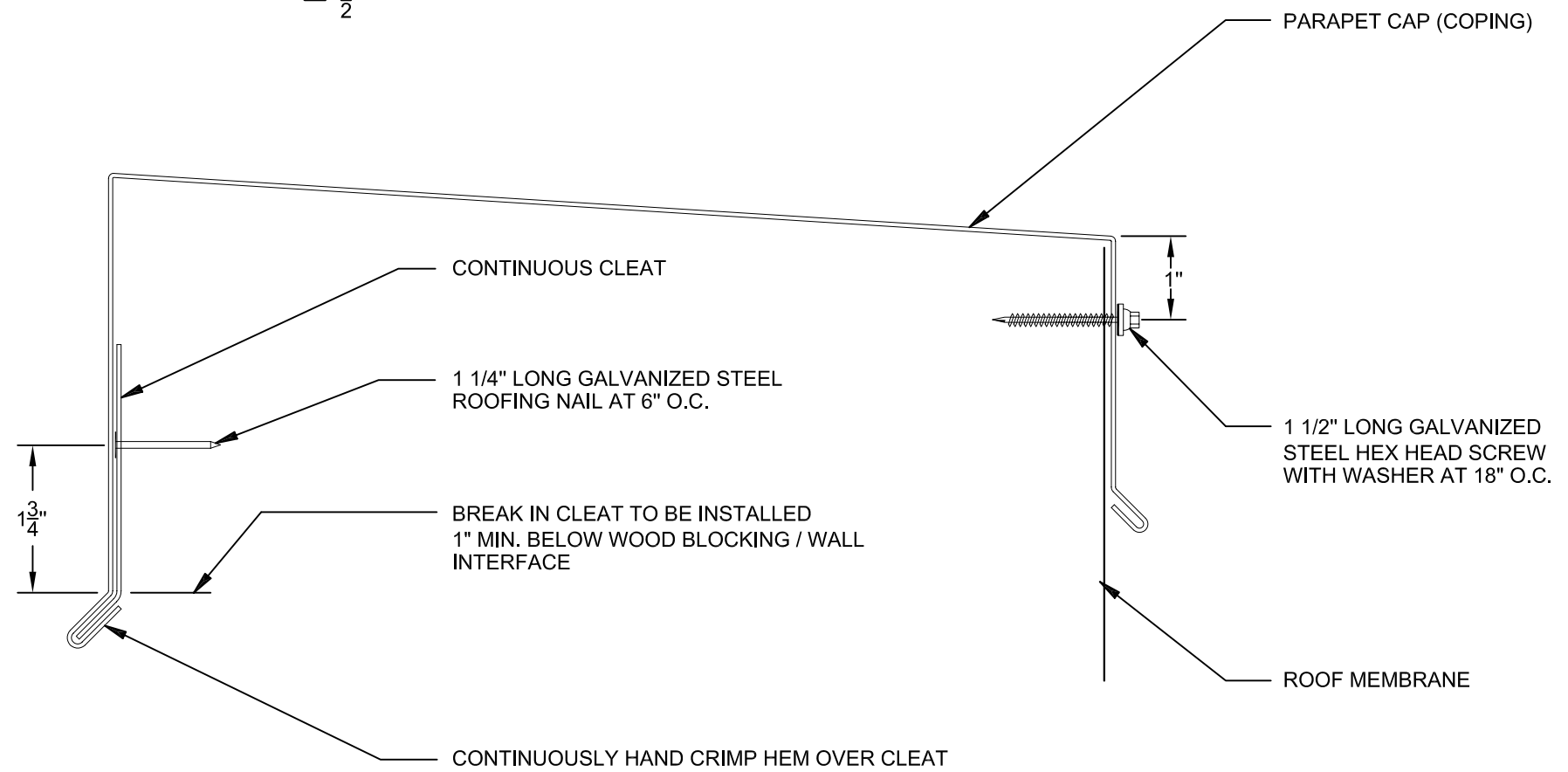


PARAPET CAP



CLEAT

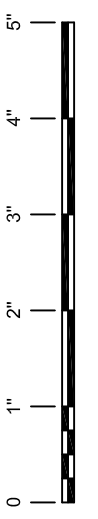
FABRICATION DRAWING



INSTALLATION DRAWING

DATE:
6-1-01
REV.:

Custom Metal Products
2733 Vassar Place NE
Albuquerque, NM 87107



RESISTANCE TESTED IN ACCORDANCE
WITH ANSI/SPRI ES-1: 300 LBS/SQ. FT.
ITS REPORT No. J99030617C-231

TITLE :
0.050" ALUMINUM PARAPET CAP
(COPING)

PER NRCA 5th EDITION CONSTRUCTION DETAILS:
BUR-1, BUR-P-1, MB-1, MB-P-1, TP-1, TP-P-1, TS-1, TS-P-1, SPF-1

SHEET
No:
10